

# VetLight 80

LED Surgical Light (120 000 Lux)

Ergonomic Design • Compact • Easy to Move

A new generation of Surgical Lights

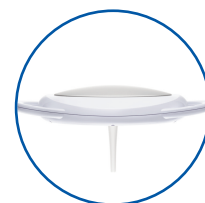


## LED LIGHTING

The bright and cold light of VetLight 80 reproduces colours faithfully, assuring an excellent definition of details.

It benefits from incomparable assets:

- American LEDs guaranteed 18 months
- A 50,000-hour Led lifetime
- Colour Rendering Index (CRI) does not undergo any alteration of value.



## WHITE AND COLD LIGHT

The dome of Vetlight 80 consists of 28 LED lenses arranged radial fashion to suppress shadows and ensure three-dimensional lighting.

VetLight 80 is a concentration of unparalleled-performance technology offering many advantages:

- It does not dazzle
- It does not strain the eyes and favours concentration
- It suppresses all the shadows
- It produces lower temperature generating more comfort for the practioner



## ERGONOMY

The lower part of the reflector incorporates, besides the switch, a digital control to adjust the light with visual signal of the intensity set.

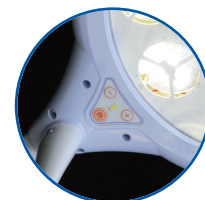
The interposition of the operator head or hands between the lamp and the patient does not interfere at all on the quality and above all on the colour temperature of the light on the lighted zone.

- The structure has a side full-circle handling without any stops
- The arm moves vertically thanks to a spring-compensated balancing system
- The reflector can be rotated on the vertical and horizontal axis.

VetLight 80 is equipped with a sterilizable handle.

By simply pressing the digital key K on the membrane keyboard, the veterinary can choose between two different white light temperature:

- 4500° K and 5000° K without altering the light intensity



Mano  
Médical

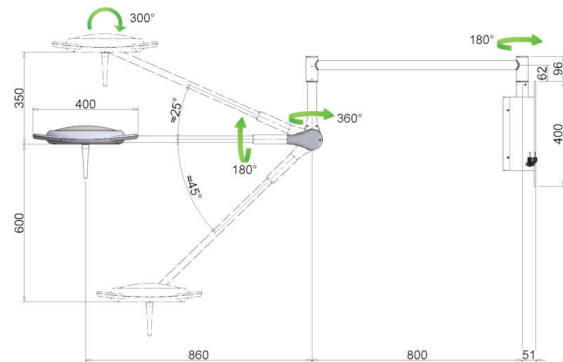
Medical equipment for veterinarians

# VetLight 80

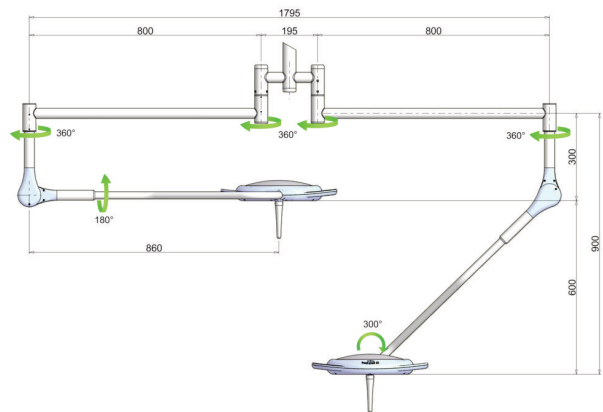
## VetLight 80 Floor



## VetLight 80 Wall



## VetLight 80 Ceiling and Ceiling x 2



### TECHNICAL DATA

Diameter of the lamp body	30	cm
Light intensity at 1 m (Ec) @ 5.000 °K	120.000	Lux
Light intensity at 1 m (Ec) @ 4.500 °K	50.000	Lux
Light field diameter	110 to 330	mm
Color temperature	4.500 / 5.000	°K
Color rendering index (CRI)	94	
No of LEDs	28	
Light field diameter where the illuminance reaches 50% of Ec (d50)	135	mm
Light field diameter where the illuminance reaches 10% of Ec (d10)	270	mm
Depth of illumination IEC 60601-1-2-41 (L1 + L2) à 60%	58 (28+30)	cm
Manual regulation of focus		
Frequency	50/60	Hz
Power transformer	100 / 240	V
Average Led lifetime	50.000	hours
Control of the illuminance	20/100	%
Weight (Wall, ceiling, wall and double ceiling)	18, 13, 12, 20	Kg



15, rue du Noroit  
22100 Taden - France  
Tél. +33 (0)2 96 85 86 76  
Fax +33 (0)2 96 85 86 77

welcome@manomedical.com

www.manomedical.com